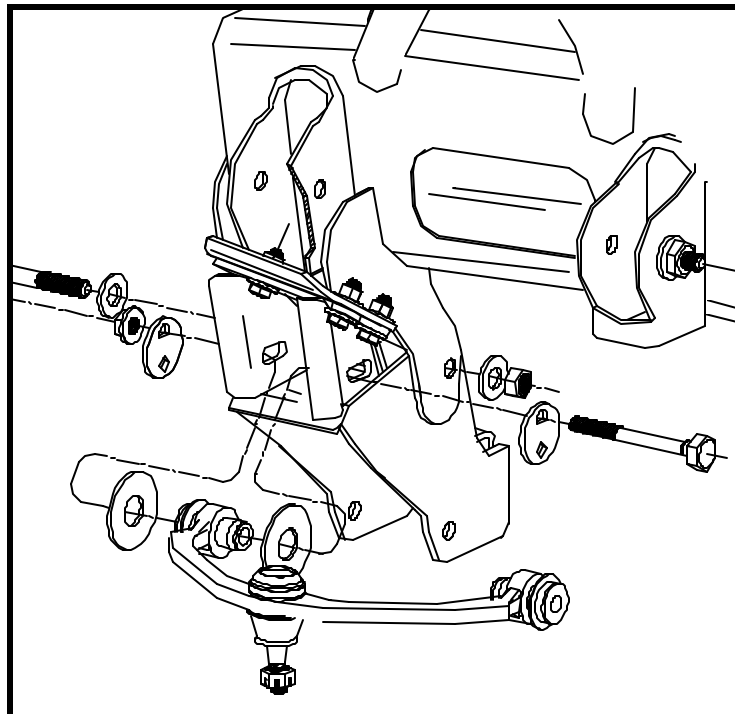




Please read: Supplemental Instructions 90-6275

Due to manufacturing variances in the rear cross member, 90-1459, the rear upper arm may need to be shimmed into the pockets they sit in. This kit 90-6275 contains 8 shims that may be used for the installation.

If the rear of the upper arm has space when it is fit into the rear cross member you may add these shims where needed to take up this space. See the illustration provided. It is possible you may use all of the shims or none at all. Once the shims are installed you can install the bolt that will hold the upper a-arm and the shims in position and continue with the normal installation procedures.



51099, 51021, 51022